

The Kathrein RRU 1000 series is a basic RAIN RFID reader for indoor applications in logistics, manufacturing, supply chain and access control applications. Its best in class 30-dBm UHF RF unit and connectivity interface PoE and the basic level processing unit allow for a flexible integration into Industry 4.0 and IoT solutions.

Based on the latest RFID standards, such as EPC Gen2v2/ISO 18000-63, Kathrein RRU 1000 series support all market leading transponder chip features. The ETSI version of the Kathrein RRU 1400 reader (52010551) supports both the ETSI lower band at 865 - 868 MHz and the ETSI upper band at 915 - 921 MHz.



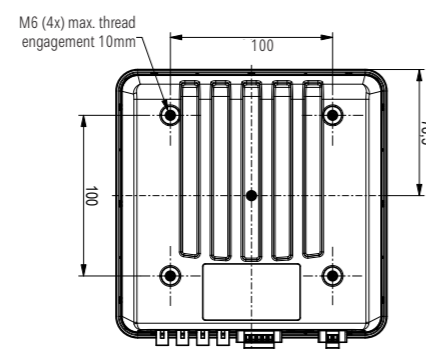
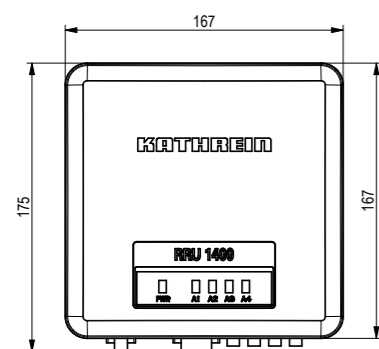
> Features

- RAIN RFID reader with embedded computing module
- easy to install due to open connectors and FAKRA antenna sockets
- universally applicable with SW defined Radio for ETSI lower band and ETSI upper band
- 4 antenna ports
- +30 dBm port power
- @KRAI antenna support
- GPIO: 2 inputs, 2 outputs
- PoE
- basic LED visualisation
- IP40 indoor use
- type approval for Europe, US and RoW

> Key Applications

- Manufacturing and Automotive
- Logistics
- Track & Trace
- ekanBan
- Healthcare

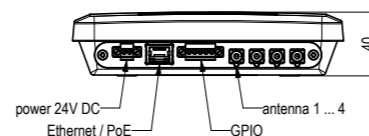
> Dimensions [mm]



> Note

Risk of material damage!

- ▶ Make sure that the depth at which the screws are put into the housing of the reader does not exceed 10 mm (the tightening torque is 5 Nm).



> General Specifications

Type		ETSI Version RRU 1400	FCC Version RRU 1400
Order number		52010551	52010552
RFID			
Frequency range	[MHz]	865–868 (ETSI lower band) 915–921 (ETSI upper band) ¹⁾	902–928
Impedance antenna port	[Ohm]	50	
Max. TX power conducted	[dBm]	30	30
Max. TX power radiated	[ERP (ETSI)/ ERP (ETSI) ¹⁾ EIRP (FCC)]	33 36 ¹⁾	36
RX sensitivity	[dBm]	typ. -70	
Number of antenna ports		4, Fakra connector, Z-coded	
Standards		EN 302208-2 V2.1.1	FCC Part15, UL
Voltage			
Local supply	[VDC]	+10 to +30	
Connector		printed circuit-board connector, 2-pole, screw connection with tension sleeve	
Remote feed	[VDC]	PPoE Class 0 according to 802.3af (10–57)	
Connector		RJ45, 8-pole	
Power consumption			
Local supply	[W]	10.5	
Remote feed	[W]	9 – PoE Class 0 (12,96 W)	
Ethernet			
Number of Ethernet ports		1	
Data rate	[Mbit/s]	10/100	
Connector		RJ45, 8-pole	
©KRAI			
TX Frequency	[kHz]	22	
Supply voltage (output)	[V]	5	
Max. current per port	[mA]	100	
LED visualisation			
Freely programmable		Basic LED	

¹⁾ Transmitting methode according to EU 2018 / 1538 Please follow the national guidelines in Europe!

> **General Specifications**

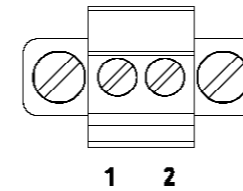
Type	ETSI Version RRU 1400	FCC Version RRU 1400
Order number	52010551	52010552
GPIO		
Type	2 inputs, 2 outputs	
Max. input voltage	[V]	30
Max. output voltage	[V]	30
Max. current per output port, open drain	[mA]	190
Connector	printed circuit-board connector, 5-pole, screw connection with tension sleeve	
RFID controller		
Processor	ARMv7-A based processor with 600 MHz	
Flash memory eMMC	[Gbyte]	4
RAM DDR2	[Mbyte]	256
Operating system	Linux	
Mechanical properties		
Weight	[kg]	0.72
Degree of protection	IP40	
Operating temperature range	[°C]	-20 to +55
Storage temperature range	[°C]	-40 to +85
Dimensions (L x W x H)	[mm]	167 x 167 x 40

> **Accessories (optional)**

Order number	Type	Description
52010451	R-AC 1 SMA-FAKRA	RFID antenna cable L=1 m, IP40, FAKRA Z-coded to SMA (m); right angle antenna plug
52010452	R-AC 3 SMA-FAKRA	RFID antenna cable L=3 m, IP40, FAKRA Z-coded to SMA (m); right angle antenna plug
52010453	R-AC 5 SMA-FAKRA	RFID antenna cable L=5 m, IP40, FAKRA Z-coded to SMA (m); right angle antenna plug
52010461	R-AC 1 TNC-FAKRA	RFID antenna cable L=1 m, IP40, FAKRA Z-coded to TNC (m); right angle antenna plug
52010462	R-AC 3 TNC-FAKRA	RFID antenna cable L=3 m, IP40, FAKRA Z-coded to TNC (m); right angle antenna plug
52010463	R-AC 5 TNC-FAKRA	RFID antenna cable L=5 m, IP40, FAKRA Z-coded to TNC (m); right angle antenna plug
52010474	R-RPA 24VDC-18W	AC/DC adapter 24V/18 W AC 110-230 V-plug
52010485	R-AC 0.5 FAKRA-FAKRA	RFID-antenna-cable, L=0.5 m, IP40, FAKRA Z-coded to FAKRA Z-coded
52010486	R-AC 1 FAKRA-FAKRA	RFID-antenna-cable, L=1 m, IP40, FAKRA Z-coded to FAKRA Z-coded
52010487	R-AC 3 FAKRA-FAKRA	RFID-antenna-cable, L=3 m, IP40, FAKRA Z-coded to FAKRA Z-coded
52010488	R-AC 5 FAKRA-FAKRA	RFID-antenna-cable, L=5 m, IP40, FAKRA Z-coded to FAKRA Z-coded

> **Power Supply**

Printed circuit board connector 2-pole, screw connection with tension sleeve

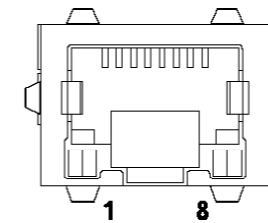


Pinout Power Supply

Pin	Allocation
1	GND
2	+24 V DC

> **Ethernet**

RJ45, 8-pole

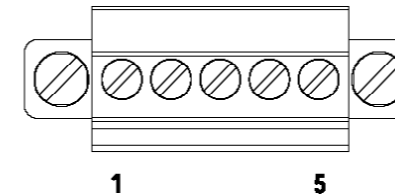


Pinout communication PoE

Pin	Data	PoE
1	TX+	PoE Mode A
2	TX-	PoE Mode A
3	RX+	PoE Mode A
4		PoE Mode B
5		PoE Mode B
6	RX-	PoE Mode A
7		PoE Mode B
8		PoE Mode B

> **GPIO**

Printed circuit board connector, 5-pole, screw connection with tension sleeve



Pinout general purpose input output

Pin	Allocation
1	GND OUT_CMN
2	INPUT_1
3	INPUT_2
4	OUTPUT_1 (open drain)
5	OUTPUT_2 (open drain)