

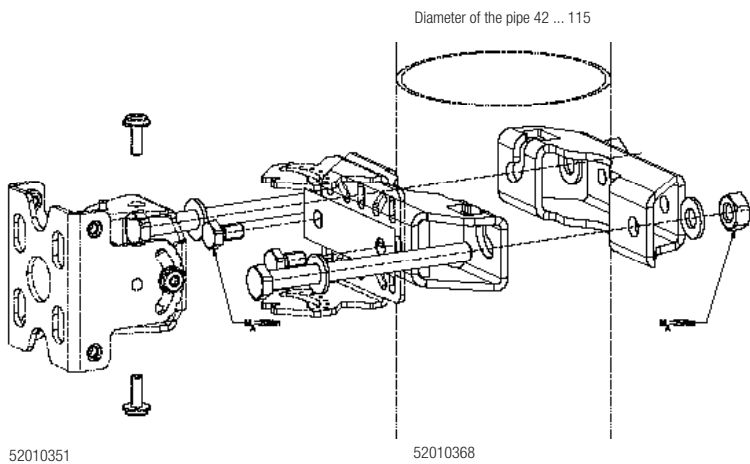
> General Specifications

Order No.		52010368
Type		MK-PMA-OGV
Weight	[kg]	1.2
Max. load-bearing capacity	[kg]	8
Package size (L x W x H)	[mm]	App. 160 x 160 x 45 (packed in tubular film)
Material		Steel zinc coated
Diameter of the pipe	[mm]	42 ... 115

> Usable with the Following

Wall mounting kit	Order No.	Type
	52010351	MK-WPM3-OSS

> Assembly drawing [mm]



> Accessories, optional

- For more information about accessories, go to <https://www.kathrein-solutions.com/products/rfid/rfid-assecories>